

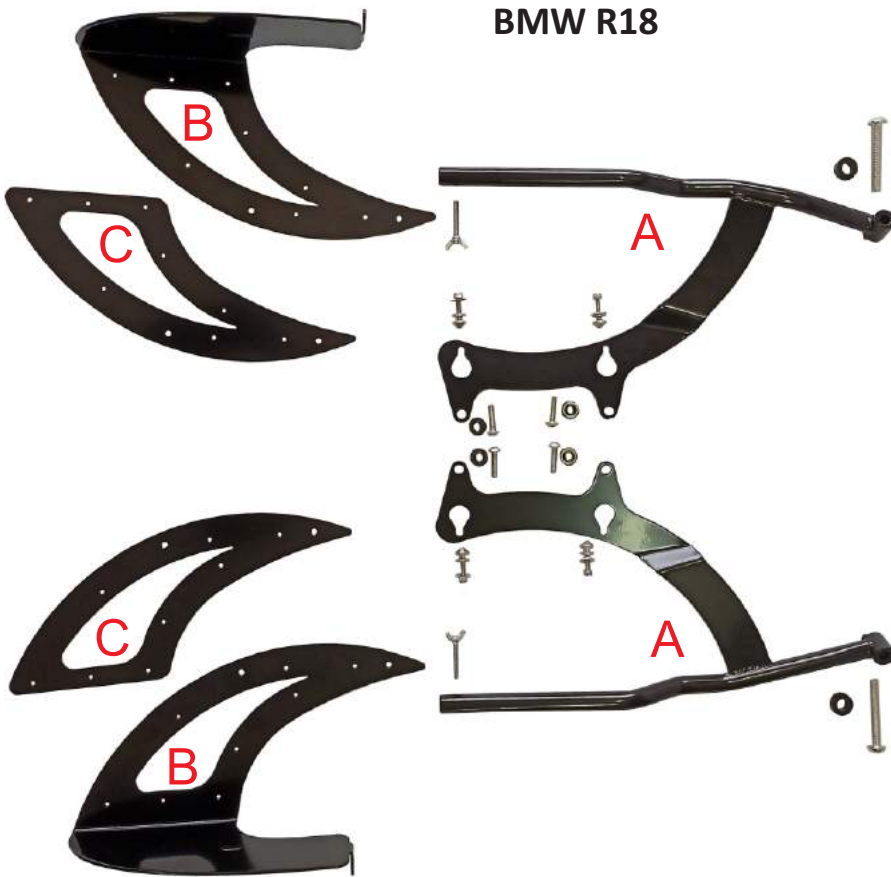


Saddlebags Universal Mounting Brackets for BMW R18



The SET of Saddlebags Universal Mounting Brackets

for
BMW R18



We offer an easy solution for mounting saddlebags on a BMW R18 using our universal mounting brackets.

A - The Main Bracket

B - The Removable Bracket

C - The auxiliary metal plate for easy installation of the saddlebags made from leather or similar material

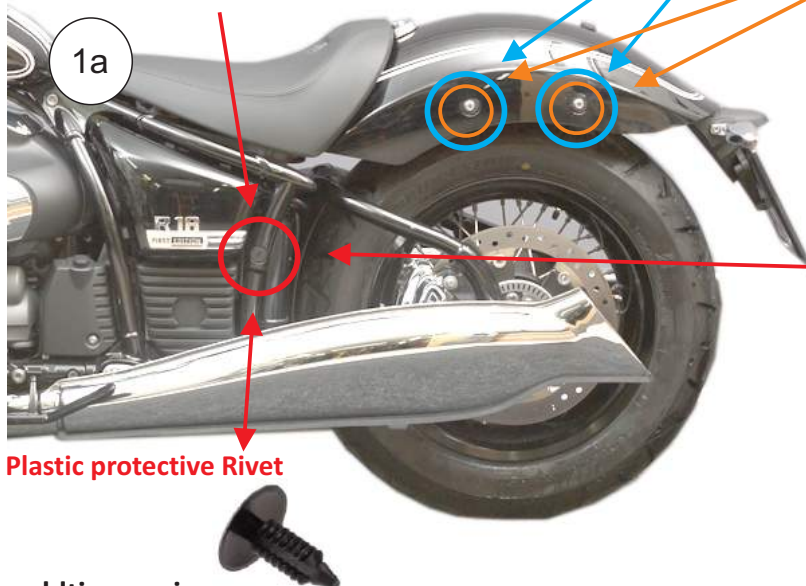
Installation:

1. Unscrew the **Plastic protective Rivet** from Frame hole for passenger footpegs or remove passenger footpegs if applicable

2. Unscrew **2 x TORX screw** on the rear fender keep the **2 x Plastic Washers** for mounting brackets



passenger footpegs



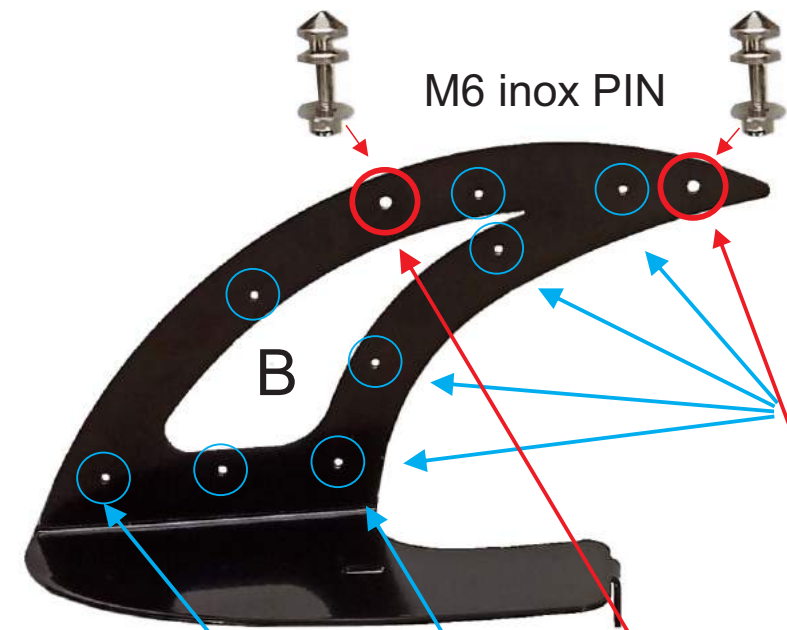
3. A - installation of the main bracket



If you are using passenger footpegs, then black metal End adapter is not needed

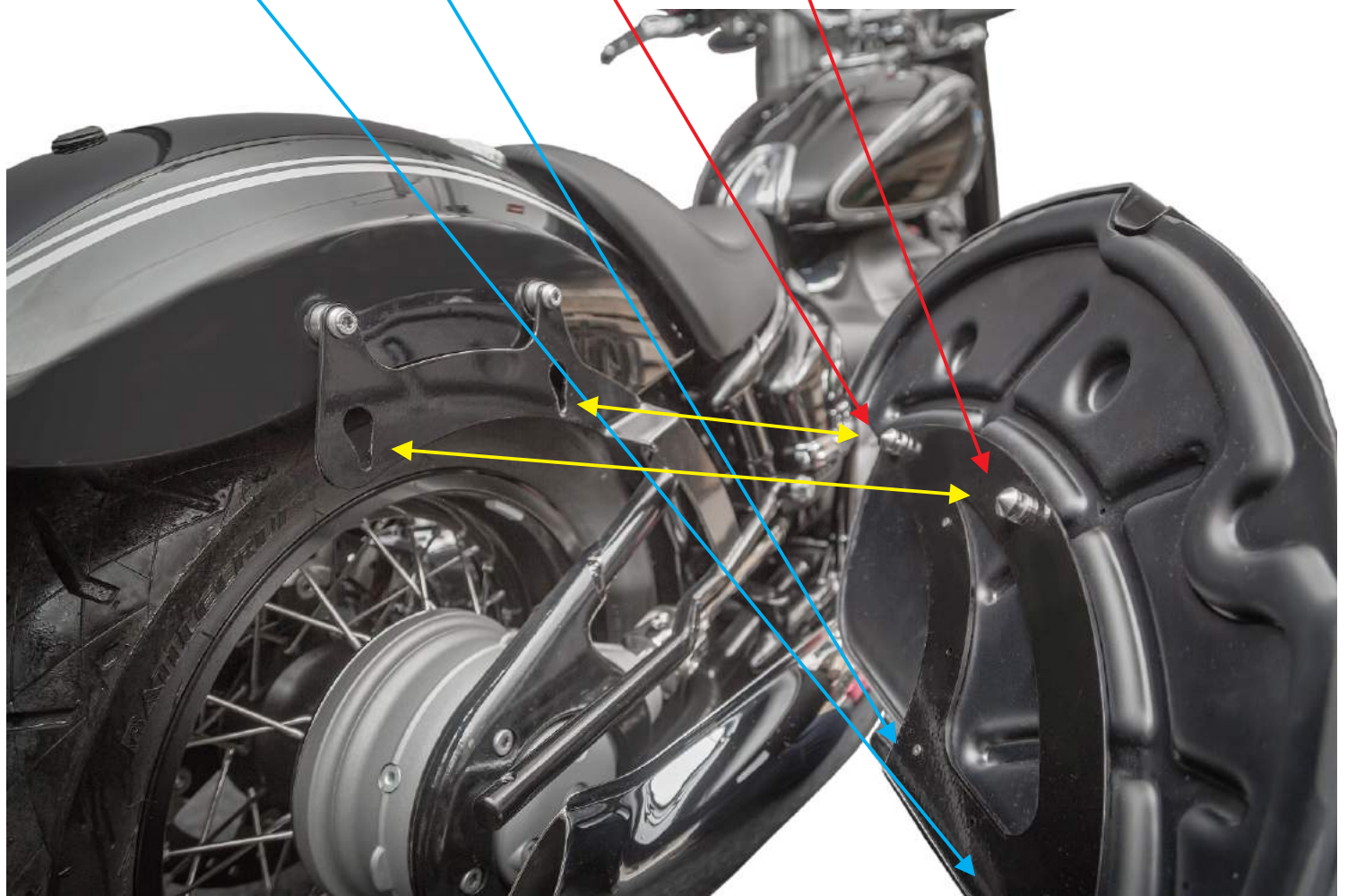


4. B - Install The Removable Bracket



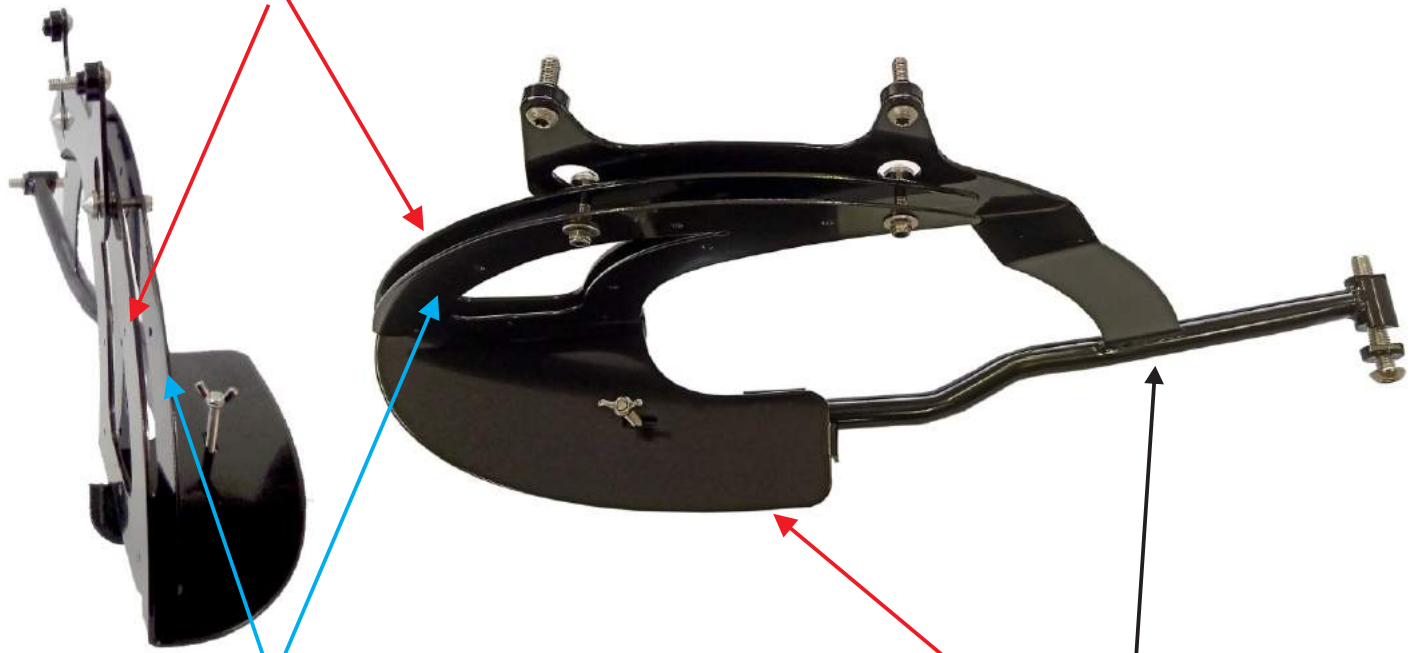
You can attach **hard saddlebags** directly to our universal B-removable bracket
The **small holes** offer increased strength when installing the bag using generic screws

Attach the saddlebags directly to the universal B-removable bracket



How to install saddlebags directly to our universal

B-removeable bracket



5. The C - auxiliary metal plate enables easy installation of the saddlebags

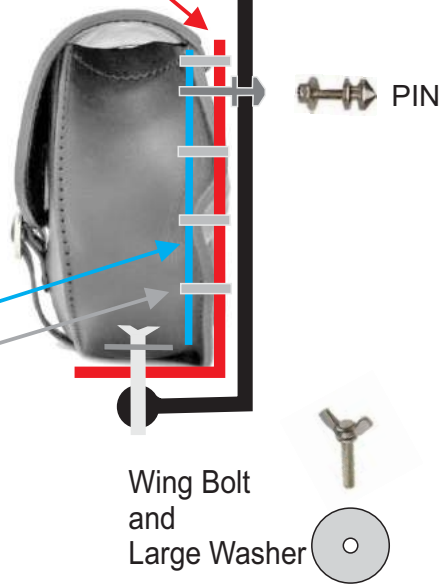


only use for universal saddlebags made of leather or other soft material

For easy installation, insert the auxiliary metal plate - C into the inside of the Saddlebag. made of leather or other soft material



Universal screws can be used for the 8 holes



Wing Bolt and Large Washer



Once you have successfully installed the bags, please send us a picture and we will feature it on our BMW Fan gallery!

best regards, Oldtimers TEAM

Notes



A large grid of graph paper for taking notes. The grid consists of 24 rows and 15 columns. On the right side of the grid, there is a vertical ruler with centimeter markings from 1 to 24. The grid lines are light blue.